

# L SERIES

700, 1200, 2000 & 3840 IN-LBS,  
NEMA 4 AND/OR 7

ICI's L series rotary electric actuator was designed for valve and damper applications requiring from 700 up to 3,840 in-lbs of torque. This industrial grade reversing actuator has been manufactured since 1991 and is well known for its dependability in harsh applications where reliability is of the utmost importance.

## SPECIFICATIONS:

TORQUE	LA-5	700 In-Lb (79 Nm)
	LA-12	2000 In-Lb (226 Nm)
	LX-5	1200 In-Lb (135.6 Nm)
	LX-14	3840 In-Lb (433.9 Nm)
CYCLE TIME	LA-5	5 Sec./90
	LA-12	12 Sec./90
	LX-5	5 Sec./90
	LX-14	14 Sec./90
DUTY CYCLE	12Vdc, 24Vdc, 24Vac & 115Vac 100%	
	230Vac-1Ph 30 minute continuous run	
	230Vac-3Ph & 460Vac-3Ph 30 minute continuous run (NEMA 4 only)	
MOTOR	Permanent split capacitor (for AC) with thermal overload protection	



CURRENT RATINGS FL= Full Load, LR= Lock Rotor

	115 Vac (Std.)		24 Vac		24 Vdc		12 Vdc		208 Vac/1Ph/60Hz*		230 Vac/1Ph/60Hz	
	FL	LR	FL	LR	FL	LR	FL	LR	FL	LR	FL	LR
<b>LA</b>	1.20	2.90	3.70	25.00	3.70	25.00	6.90	48.00	1.54	2.50	1.40	2.00
<b>LX</b>	1.20	2.90	5.00	25.00	5.00	25.00	10.00	48.00	1.54	2.50	1.40	2.00

The motor's LR amps must be taken into account when sizing the input power supply and fuses. Slow blow fuses are recommended  
\* Reduce actuator torque 10% for sizing purposes

CERTIFICATION	CSA	Master Contract 178618
CLASSIFICATION	Class I, Division 1 & 2, Groups C & D; Class II Division 1 & 2, Groups E, F & G	
CANADIAN	CSA C3228 02 – Valves – Actuators – For Hazardous Locations, CSA C3229 82 – Valves – Actuators – For Hazardous Locations – Certified to US Standards CSA – C22.2 No. 0-M1991; CSA – C22.2 No. 139-1982; CSA – C22.2 No. 0.4-04; CSA – C22.2 No. 25-1966; CSA – C22.2 No. 94-M91; CSA- C22.2 No. 30-M1986; UL 1002, 6th Ed.; UL 429, 5th Ed.; UL 50 11th Ed.	
APPROVED VOLTAGES	115Vac	
APPROVED ENCLOSURES	Enclosure Type 4, 4X, 7 & 4-7	
APPROVED TEMP.	-4F (-20C) to 104F (40C)	
APPROVED OPTIONS	One or Two, Dec clutching Manual Override with Hand Wheel, Motor Brake for 115Vac, Visual Position Indicator, Special Mounting Pad Configurations and Mechanical Stop (For complete list of options, see option grid in catalog page 33)	
COATING	Thermally bonded polyester powder	
POSITION INDICATOR	Visual	Dome Indicator
	Electric	Feedback from limit switches, same as operating voltage
SWITCHES	Snap action	SPDT, 15A @ 250Vac

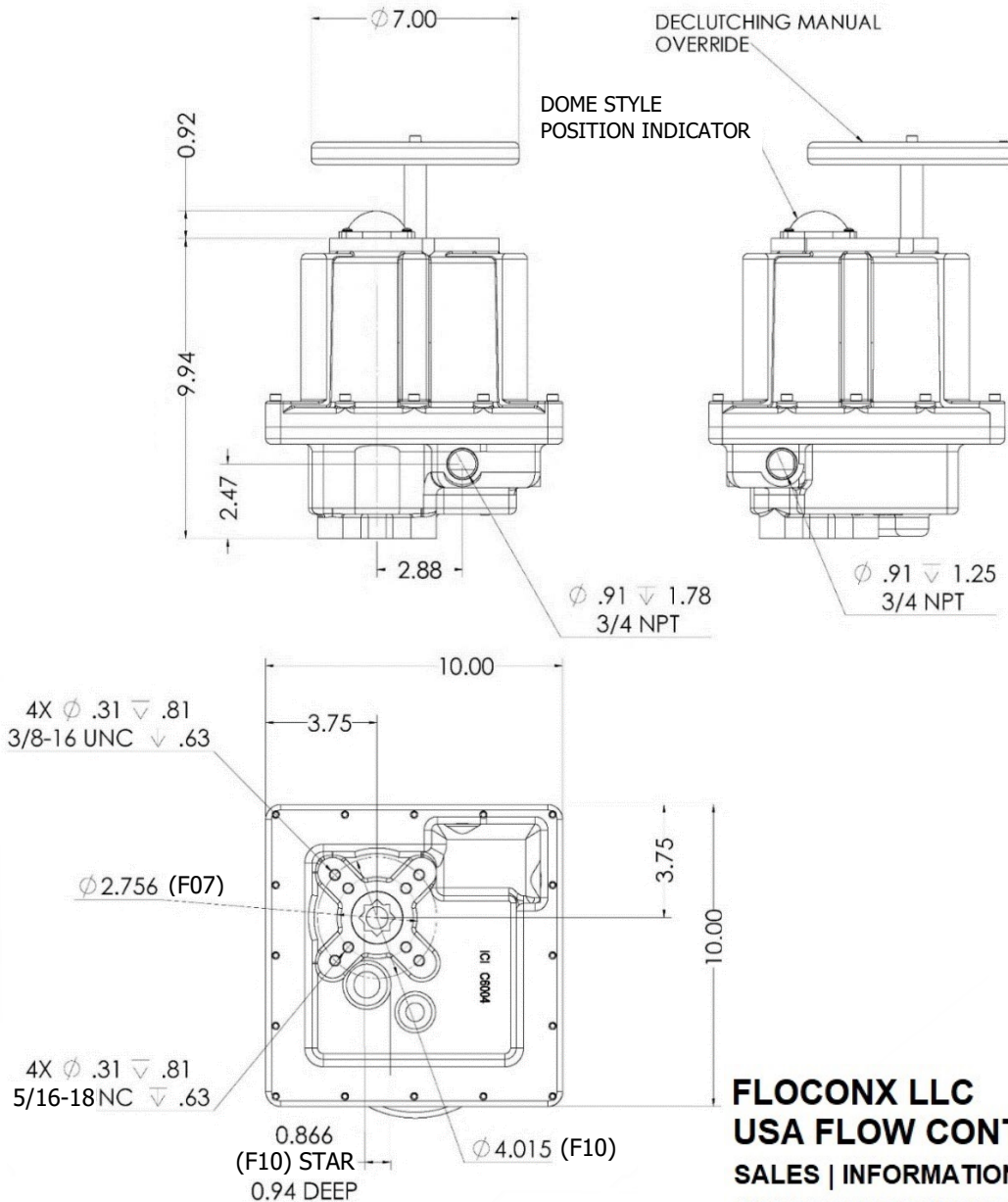


# L SERIES

700, 1200, 2000 & 3840 IN-LBS,  
NEMA 4 AND/OR 7

**INDELAC**  
CONTROLS, INC.  
ELECTRIC ACTUATORS AND CONTROLS

LUBRICATION	Grease	Permanent, little or no maintenance required
WEIGHT	Pound	40 (lb)
	Kilogram	18.1 (kg)
MOUNTING	Universal	
MOUNTING PAD	ISO 5211 F07 & F10 with F10 22mm Star Female Drive	
TEMPERATURE	-40F (-40C) to 150F (65.6C), heater & thermostat required 0F and below Optional double heater for application up to -76F (-60C)	
OVERRIDE	Manual, Declutching Hand Wheel	



**FLOCONX LLC**  
**USA FLOW CONTROL COMPANY**  
SALES | INFORMATION  
SALES@FLOCONX.COM  
VENTAS@FLOCONX.COM  
FLOW CONTROL, OUR PASSION.®  
WWW.FLOCONX.COM



**FLOCONX**®  
USA FLOW CONTROL COMPANY