

ACCUTRAK™ ROTARY POSITION MONITORS

EXPLOSIONPROOF – NEC

Fully integrated and encapsulated rotary valve position monitors that are certified for use in explosive atmospheres



FEATURES

- Touch set cams are hand adjustable, spring loaded and self-locking providing quick calibration of position switches and sensors.
- Terminal strips are pre-wired and numbered with generous working space for ease of use.
- Strong durable Beacon™ offers 360° visual indication in a choice of styles and colors.
- Additional conduit for easy field wiring and mounting accessories as standard.
- Standardized mounting pattern for easy adaptation to common bracketry.
- NAMUR shaft output compliant to VDI/VDE 3845 available.
- Analog position transmitter option.
- Eliminator option for easy integration of external solenoid valve.
- Aluminum enclosures with ultra-low copper content (0.2% maximum) ensure robust performance in corrosive environments.
- Rugged stainless steel enclosures.

TECHNICAL DATA

Agency approvals

Area classification (NEC 500)
Models 2007/5050/9479

Model 9479
Model 5050
Model 360/366

Enclosure standards (ANSI/NEMA 250)
All enclosures

Switches

Model 2007
Model 5050
Model 9479
Models 360/366

Enclosures

Models 2007/5050/9479/360
Models 2007/9479/366

Class I, Division 1, Groups C & D/ T6 Ta = 60°C
Class II, Division 1, Groups E, F & G/ T6 Ta = 60°C
Class I, Division 2, Groups A,B,C & D/T4 Ta = 60°C
Class II, Division 2, Groups E, F & G/T6 Ta = 50°C
Class I, Division 1, Groups A,B, C & D^[1]
Class II, Division 1, Groups E, F & G^[2]

Type 4, 4X

V3 (SPDT) & DPDT mechanical / GO®
Pepperl + Fuchs model NJ2-V3-N
Magnum / MagPAC
V3 (SPDT) & DPDT mechanical / Magnum

Aluminum
Stainless steel

GENERAL APPLICATION

AccuTrak position monitors are ideal for manual and automated rotary valves. They provide consistent and accurate valve monitoring in a compact unit which can be mounted directly or via a valve actuator.

NOTES

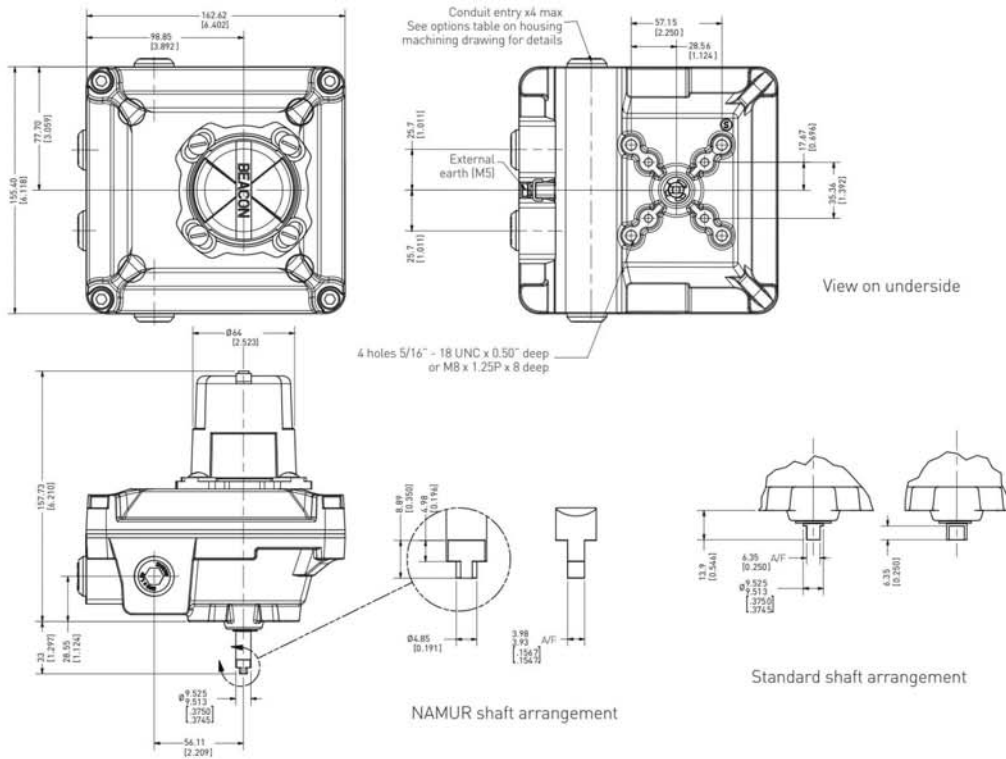
^[1] Groups C & D only with eliminator conduit option

^[2] Groups F & G only with eliminator conduit option

ACCUTRAK™ ROTARY POSITION MONITORS

EXPLOSIONPROOF – NEC

MODELS 2007/5050/9479 DIMENSIONS



Dimensions in inches, where available metric dimension [mm] in parentheses

TECHNICAL SPECIFICATIONS

Materials of construction

Enclosure	Aluminum with powder coat finish
Shaft and hardware	Stainless steel
Bushing	Oil impregnated bronze
Beacon visual indicator	Co-polyester

Drive shaft

Westlock standard	Double-D with 1/4" A/F
NAMUR standard	NAMUR standard VDI/VDE 3845

Available switches

Model 2007	V3 mechanical switches, SPDT DPDT (Form CC) mechanical switches GO® switches
Model 5050	Pepperl + Fuchs model NJ2-V3-N
Model 9479	Magnum (hermetically sealed proximity type) MagPAC bifurcated switch pack

Options

Models 2007/9479	Stainless steel enclosure
Models 2007/9479	4-20 mA position transmitter

NOTES

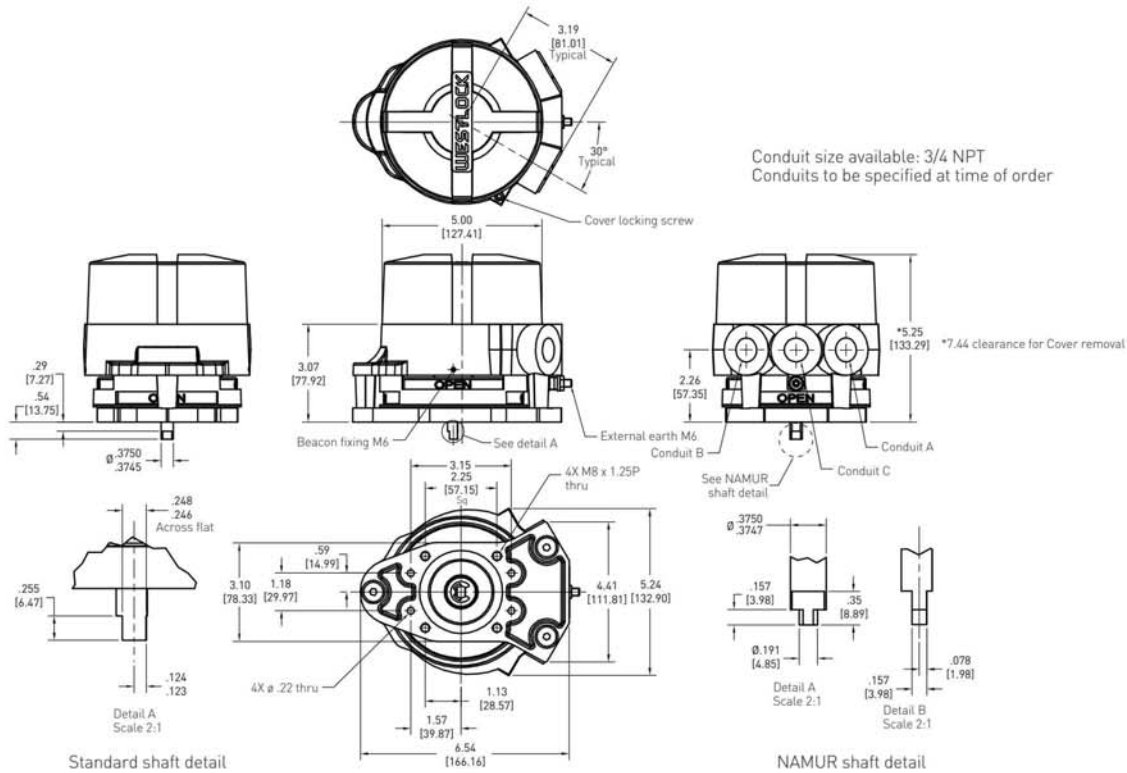
1. See selection guide for standard conduit entries
2. See switches & sensors data sheet for further information
3. A specialist eliminator fitting is available for the mounting of an aftermarket solenoid valve
4. Please consult your sales office for any other requirements



ACCUTRAK™ ROTARY POSITION MONITORS

EXPLOSIONPROOF – NEC

MODELS 360/366 DIMENSIONS



Dimensions in inches, where available metric dimension (mm) in parentheses

TECHNICAL SPECIFICATIONS

Materials of construction

Enclosure	
Model 360	Aluminum with powder coat finish
Model 366	Stainless steel with electropolished finish
Shaft and hardware	Stainless steel
Bushing	Oil impregnated bronze
Beacon visual indicator	Co-polyester

Drive shaft

Westlock standard	Double-D with 1/4" A/F
NAMUR standard	NAMUR standard VDI/VDE 3845

Available switches

	V3 mechanical switches, SPDT
	DPDT (Form CC) mechanical switches
	Magnum, SPDT hermetically sealed switches, with tungsten contacts
	Magnum, SPDT hermetically sealed switches, with rhodium contacts

Options

Models 360/366	4-20 mA position transmitter
----------------	------------------------------

NOTES

1. See selection guide for standard conduit entries
2. See switches & sensors data sheet for further information
3. A specialist eliminator fitting is available for the mounting of an aftermarket solenoid valve
4. Please consult your sales office for any other requirements



ACCUTRAK™ EXPLOSIONPROOF ROTARY POSITION MONITORS
MODEL 2007 SELECTION GUIDE

Base model					
2007	Aluminum enclosure				
Shaft output					
S	Standard (double-D with ¼" Flats)				
N	NAMUR				
Beacon					
BY	BM2-Y (standard)				
RG	BM2-RG (Red Closed/Green Open)				
FE	BM2-Y-FE (French/English)				
AB	BM2-B				
AR	BM2-R				
B1	BM3-1				
B3	BM3-3				
B5	BM3-5				
B7	BM3-7				
B9	BM3-9				
FC	Flat cover				
Conduit					
2B	Two ¾" NPT [F]				
4B	Four ¾" NPT [F]				
2E	One ¾" NPT [F] and one ½" NPT [M] eliminator fitting				
4E	Three ¾" NPT [F] and one ½" NPT [M] eliminator fitting				
4F	Two ¾" NPT [F] and two ½" NPT [M] eliminator fittings				
Position switches					
2M02	Two SPDT mechanical switches - 8 pt. TS				
4M02	Four SPDT mechanical switches - 16 pt. TS				
6M02	Six SPDT mechanical switches - 24 pt. TS				
2M04	Two DPDT mechanical switches - 16 pt. TS				
4M04	Four DPDT mechanical switches - 24 pt. TS				
2M03	Two SPDT GO® switches - 12 pt. TS				
4M03	Four SPDT GO® switches - 16 pt. TS				
Analog position transmitter					
00	None				
CS	4-20 mA position transmitter (not available with 4M04, 6M02, 2M03, 4M03 switch options)				
	12 pt. TS w/2M02;				
	16 pt. TS w/2M04 and 4M02				
2007	N	BY	2B	2M02	00 = Model number 2007NBY2B2M0200

- NOTES**
1. Please contact your sales office for guidance on selecting the best possible combination for your control and monitoring requirements.
 2. See Hazardous area classification technical bulletin for further information on global standards.
 3. For stainless steel enclosure, please add 00124 to the end of your part number built with the selection guide above.



FLOCONX LLC
USA FLOW CONTROL COMPANY
SALES | INFORMATION
SALES@FLOCONX.COM
VENTAS@FLOCONX.COM
FLOW CONTROL, OUR PASSION.™
WWW.FLOCONX.COM

ACCUTRAK™ EXPLOSIONPROOF ROTARY POSITION MONITORS
 MODEL 5050 SELECTION GUIDE

Base model	
5050	Aluminum enclosure
Shaft output	
S	Standard (double-D with ¼" Flats)
N	NAMUR
Beacon	
BY	BM2-Y (standard)
RG	BM2-RG (Red Closed/Green Open)
FE	BM2-Y-FE (French/English)
AB	BM2-B
AR	BM2-R
B1	BM3-1
B3	BM3-3
B5	BM3-5
B7	BM3-7
B9	BM3-9
FC	Flat cover
Conduit	
2B	Two ¾" NPT (F)
4B	Four ¾" NPT (F)
2E	One ¾" NPT (F) and one ½" NPT (M) eliminator fitting
4E	Three ¾" NPT (F) and one ½" NPT (M) eliminator fitting
4F	Two ¾" NPT (F) and two ½" NPT (M) eliminator fittings
Position switches	
2M08	Two P+F sensors model NJ2-V3-N - 8 pt. TS
Analog position transmitter	
00	Not available
5050	N BY 2E 2M08 00 = Model number 5050NBY2E2M0800

NOTES

1. Please contact your sales office for guidance on selecting the best possible combination for your control and monitoring requirements.
2. See Hazardous area classification technical bulletin for further information on global standards.



FLOCONX®
 — USA FLOW CONTROL COMPANY —

FLOCONX LLC
USA FLOW CONTROL COMPANY
 SALES | INFORMATION
 SALES@FLOCONX.COM
 VENTAS@FLOCONX.COM
 FLOW CONTROL, OUR PASSION.™
 WWW.FLOCONX.COM

ACCUTRAK™ EXPLOSIONPROOF ROTARY POSITION MONITORS
MODEL 9479 SELECTION GUIDE

Base model	
9479	Aluminum enclosure
Shaft output	
S	Standard (double-D with ¼" Flats)
N	NAMUR
Beacon	
BY	BM2-Y (standard)
RG	BM2-RG (Red Closed/Green Open)
FE	BM2-Y-FE (French/English)
AB	BM2-B
AR	BM2-R
B1	BM3-1
B3	BM3-3
B5	BM3-5
B7	BM3-7
B9	BM3-9
FC	Flat cover
Conduit	
2B	Two ¾" NPT (F)
4B	Four ¾" NPT (F)
2E	One ¾" NPT (F) and one ½" NPT (M) eliminator fitting
4E	Three ¾" NPT (F) and one ½" NPT (M) eliminator fitting
4F	Two ¾" NPT (F) and two ½" NPT (M) eliminator fittings
Position switches	
2M06	Two SPDT Magnum switches with tungsten contacts - 8 pt. TS
2M12	Two SPDT Magnum switches with rhodium contacts - 8 pt. TS
2M13	MagPAC module (SPST bifurcated switches with LEDs)
4M06	Four SPDT Magnum switches with tungsten contacts - 16 pt. TS
4M12	Four SPDT Magnum switches with rhodium contacts - 16 pt. TS
6M06	Six SPDT Magnum switches with tungsten contacts - 24 pt. TS
6M12	Six SPDT Magnum switches with rhodium contacts - 24 pt. TS
Analog position transmitter	
00	None
CS	4-20 mA position transmitter [not available w/6M06 and 6M12]
	12 pt. TS w/2M06 and 2M12
	16 pt. TS w/4M06 and 4M12
9479	N BY 2B 2M12 00 = Model number 9479NBY2B2M1200

- NOTES**
1. Please contact your sales office for guidance on selecting the best possible combination for your control and monitoring requirements.
 2. See Hazardous area classification technical bulletin for further information on global standards.
 3. For stainless steel enclosure, please add 00124 to the end of your part number built with the selection guide above.



FLOCONX LLC
USA FLOW CONTROL COMPANY
SALES | INFORMATION
SALES@FLOCONX.COM
VENTAS@FLOCONX.COM
FLOW CONTROL, OUR PASSION.™
WWW.FLOCONX.COM

ACCUTRAK™ EXPLOSIONPROOF ROTARY POSITION MONITORS

MODEL 360/366 SELECTION GUIDE

Base model	
360	Aluminum enclosure
366	Stainless steel enclosure
Shaft output	
S	Standard (double-D with ¼" Flats)
N	NAMUR
Beacon	
BY	BM2-Y (standard)
RG	BM2-RG (Red Closed/Green Open)
Conduit	
2B	Two ¾" NPT (F)
3B	Three ¾" NPT (F) (360/366 only)
2E	One ¾" NPT (F) and one ½" NPT (M) eliminator fitting
3E	Two ¾" NPT (F) and one ½" NPT (M) eliminator fitting
Position switches	
2M02	Two SPDT mechanical switches - 10 pt. TS
2M04	Two DPDT mechanical switches - 14 pt. TS
2M06	Two SPDT Magnum switches - 10 pt. TS
2M12	Two SPDT Magnum switches with rhodium contacts - 10 pt. TS
4M02	Four SPDT mechanical switches - 14 pt. TS
4M06	Four SPDT Magnum switches - 14 pt. TS
4M12	Four SPDT Magnum switches with rhodium contacts - 14 pt. TS
Analog position transmitter	
00	None
CS	4-20 mA position transmitter - 10 pt. TS (only available with 2M02, 2M06, 2M12 switch options)
00	= Model number 360NBY2B2M1200

NOTES

1. Please contact your sales office for guidance on selecting the best possible combination for your control and monitoring requirements.
2. See Hazardous area classification technical bulletin for further information on global standards.



FLOCONX®
— USA FLOW CONTROL COMPANY —

FLOCONX LLC
USA FLOW CONTROL COMPANY

SALES | INFORMATION
SALES@FLOCONX.COM
VENTAS@FLOCONX.COM

FLOW CONTROL, OUR PASSION.™

WWW.FLOCONX.COM